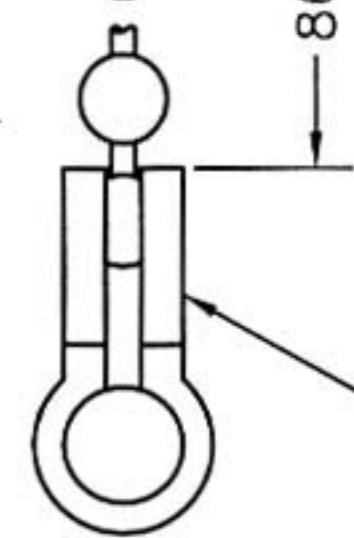
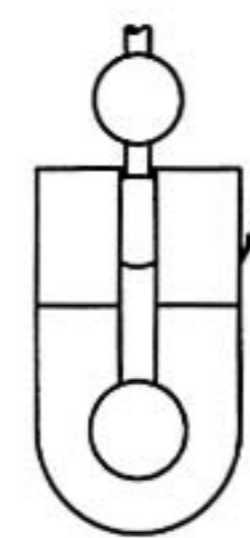
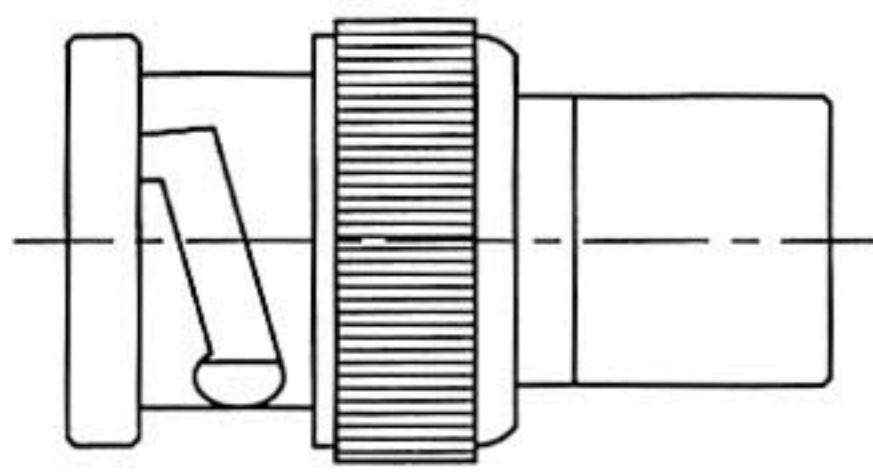
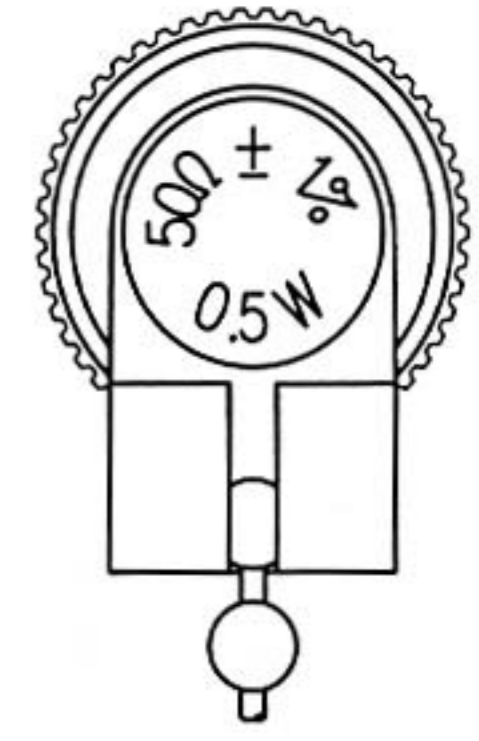
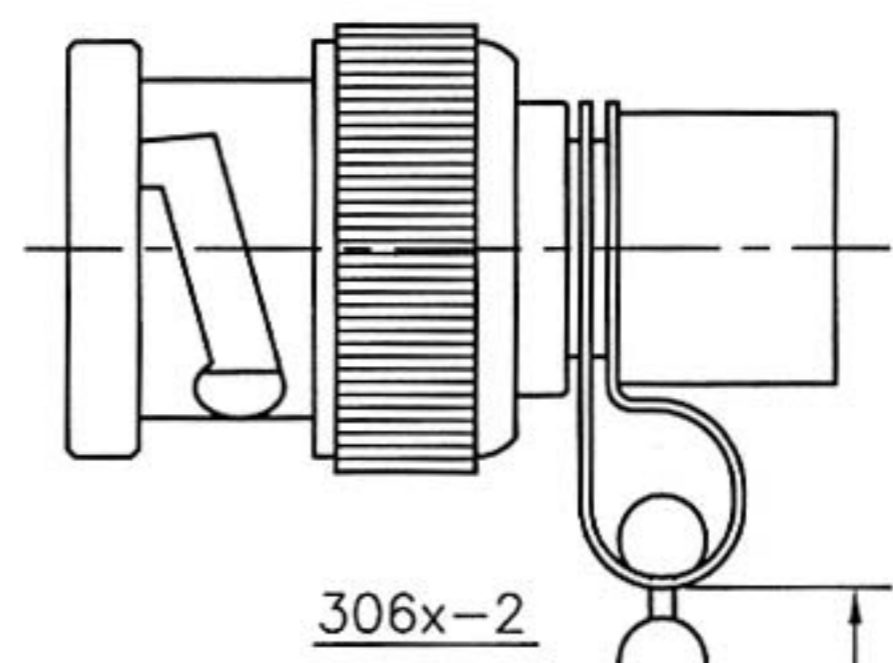
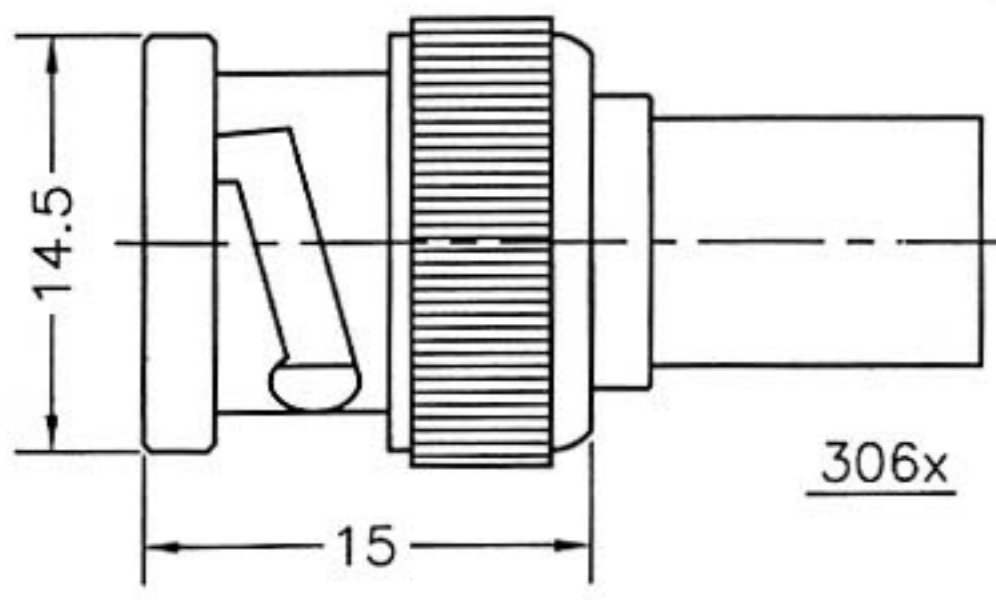


REVISIONS				
ZONE	REV	DESCRIPTION	DATE	APPROVED




86

*NOTE: REF 001-14 BNC SERIES FOR DETAILS ON ELECTRICAL, MECHANICAL MAX/MIN. TOLERANCES

PART#	Resistor Specification	Notes
BNC-3061-2	.5 Watt, 50 ohm, 1%	
BNC-3062-1	.5 Watt, 75 ohm, 1%	
BNC-3062-2	.5 Watt, 75 ohm, 1%	
BNC-3063-1	.5 Watt, 93 ohm, 1%	
BNC-3063-2	.5 Watt, 93 ohm, 1%	

BNC Male Terminator- 93 Ohm

BY	DATE	 <small>cables & connectors since 1995</small>	
DRAWN			
CHK'D		PART NO 376	
APPRV		UNITS mm	
MATERIAL	SEE NOTES	SHEET 1 OF 2	
FINISH	SEE NOTES	SCALE NONE	